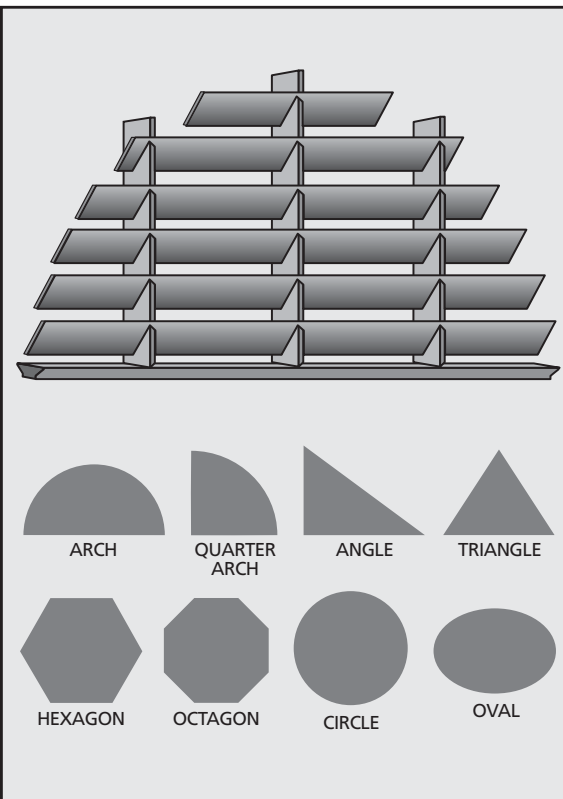


KENSINGTON

WINDOW EXPRESSIONS™

WOOD BLINDS FIXED SLAT SPECIALTY SHAPES

ASSEMBLY AND INSTALLATION INSTRUCTIONS



Manufactured By **KENSINGTON**
WINDOW EXPRESSIONS™
Art for windows™

MATERIALS AND TOOLS

Thank you for choosing Kensington wood blinds. The fixed slat specialty shape(s) you ordered have been disassembled to avoid the possibility of damage during shipping. The blind(s) can easily be reassembled by following the assembly instructions herein.

Each fixed slat specialty shape you ordered includes:

- The required number of slats, cut to varying widths to form the correct shape.
- Two or more uprights into which the slats are inserted.
- *Arch, quarter arch, angle, and triangle only:* One bottom rail to which the uprights are attached, along with two flat head screws (#6 x 1 1/4") per upright to attach the uprights to the bottom rail.

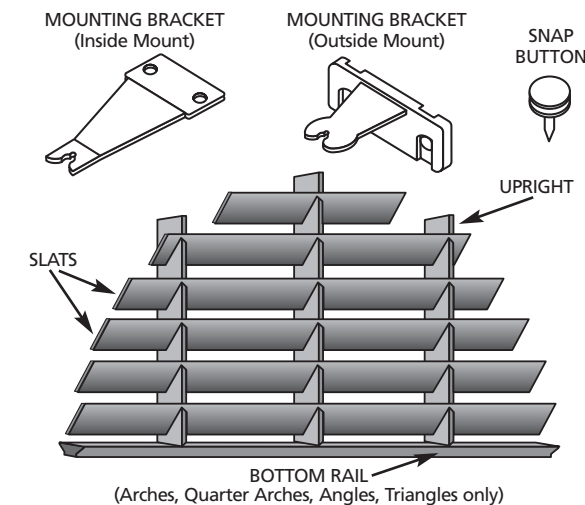
Each fixed slat specialty shape you ordered includes all necessary mounting hardware:

- The required number of mounting brackets. There are two types of brackets, one for inside mounts and one for outside mounts.
- Two #6 x 1 1/4" hex screws per mounting bracket.
- One snap button per mounting bracket.

TOOLS

The tools you will need include: steel tape measure, carpenter's level, a flat blade and/or Phillips screwdriver, power drill and 1/4" extended hex head socket and Phillips bit or 1/4" extended hex head socket and socket wrench.

Important: Read these instructions all the way through before beginning.

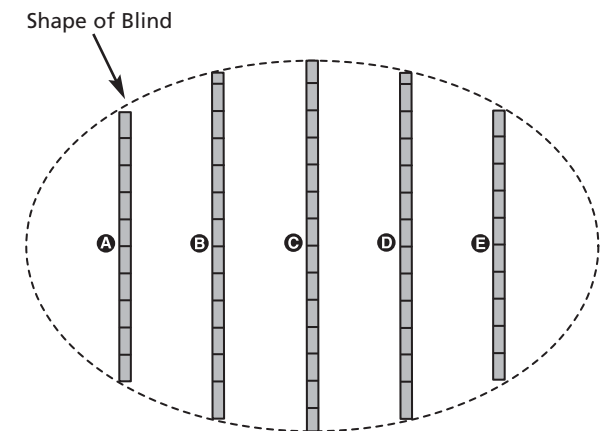


ASSEMBLING THE BLIND

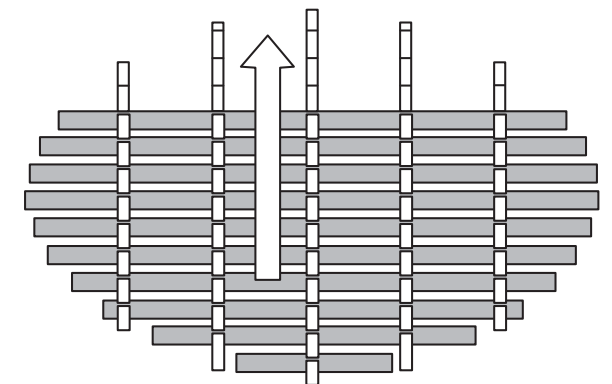
BLINDS WITH NO BOTTOM RAIL

Hexagon, Octagon, Circle, and Oval

Each upright is marked with a label: A, B, C, etc. Start on the left side with "A" and arrange the uprights as labeled. Stand the uprights on their back edge so that the slots are face up, with the slots angled the same on all uprights. Arrange the uprights so that they approximate the shape of the blind, with the slots aligned horizontally. The distance between uprights should be approximately equal.



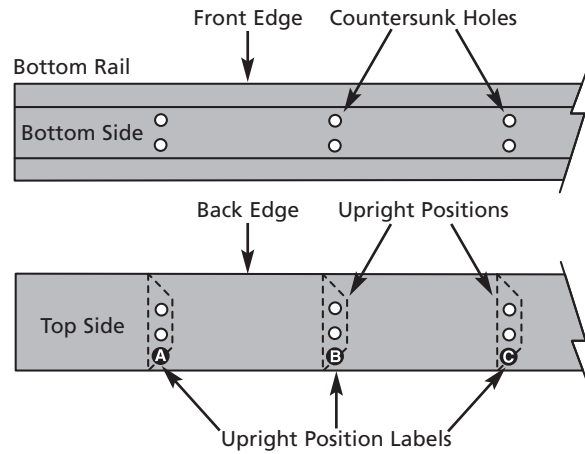
Slats are stacked in the order of assembly. Start at the bottom slot of the uprights and insert the first slat. Work your way up to the top until all slots are filled.



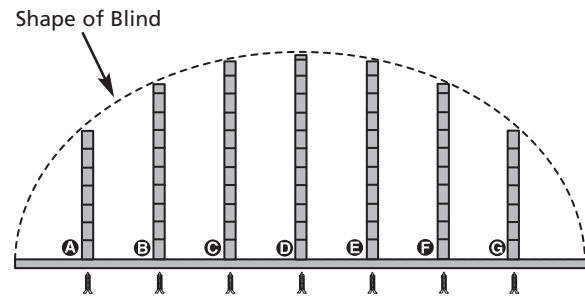
BLINDS WITH BOTTOM RAIL

Arch, Quarter Arch, Angle, and Triangle

Stand the bottom rail on its back edge, with its front edge facing up and the countersunk holes toward you. Labels indicating the position of the uprights are located on the top of the bottom rail, near the front edge.



Each upright is marked with a label that matches the label on the bottom rail. Arrange the uprights as labeled against the top side of the bottom rail. The slots in the uprights must face up, and the end of the upright with two holes goes against the bottom rail.



Attach the uprights to the bottom rail using two flat head screws (#6 x 1 1/4") per upright. The screws go through the countersunk holes in the bottom rail, and then into the uprights. Double check that the slots in all the uprights are facing up. **Important:** Do not overtighten the screws.

Insert the slats into the slots in the uprights. Start at the bottom and insert the longest slat. Work your way up to the top until all slots are filled.

INSTALLING THE BLIND

INSTALL THE SNAP BUTTONS

Snap buttons are installed onto the top of the uprights. On blinds with no bottom rail, snap buttons are installed onto the bottom of the uprights, as well. On outside mounted blinds with a bottom rail, snap buttons are also installed onto the ends of the rail.

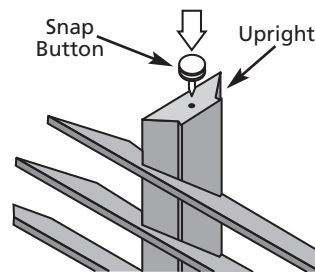
The following chart shows onto which uprights you will need to install snap buttons. The black boxes indicate snap button locations.

Number of Uprights	= Snap Button Locations						
	A	B	C	D	E	F	G
2:	A	B					
3:	A	B	C				
4:	A	B	C	D			
5:	A	B	C	D	E		
6:	A	B	C	D	E	F	
7:	A	B	C	D	E	F	G

Upright Label Designations

Notice on the chart that a blind with two uprights will have snap buttons installed onto both. Blinds with three to six uprights will have snap buttons installed onto the middle upright(s), omitting only the two on the far left and far right. And blinds with seven uprights will have snap buttons installed onto alternate uprights.

Insert snap buttons into the pre-drilled holes on the uprights indicated on the chart, and press them firmly in place. On blinds with no bottom rail, remember to install snap buttons on both the top and bottom of the uprights. On outside mounted blinds with a bottom rail, also install snap buttons into the pre-drilled holes on the ends of the rail.

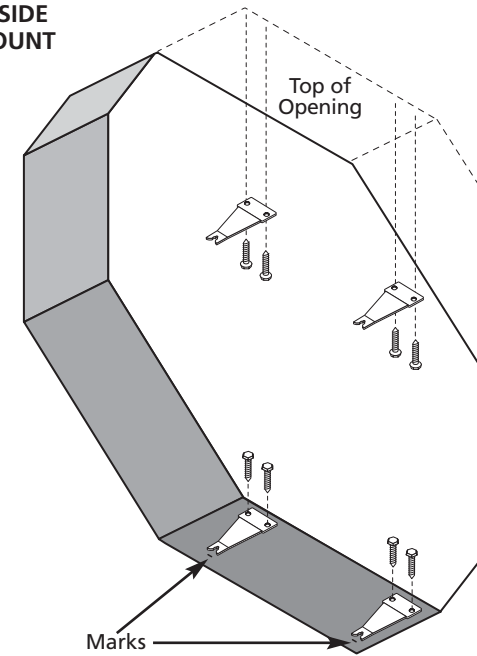


ATTACH THE MOUNTING BRACKETS

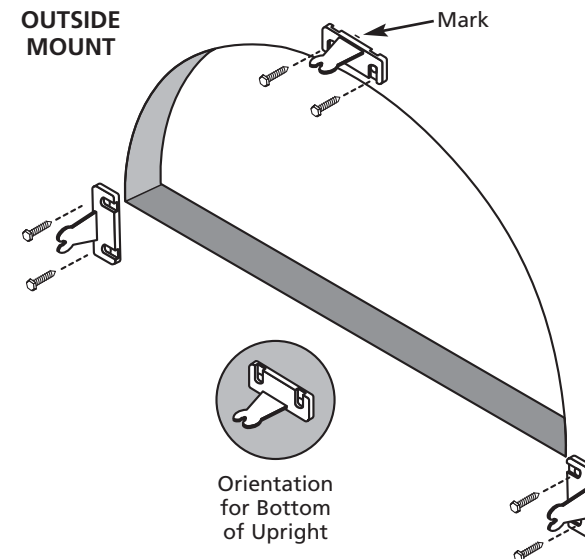
First, mark the mounting bracket locations. With inside mounted specialty shapes, hold the blind inside the opening, flush with the front of the opening, and mark on the casement the locations of the front edges of all snap buttons. With outside mounted specialty shapes, center the blind over the opening and mark the location of all snap buttons on the wall or molding.

Then attach the mounting brackets. With inside mounts, position the circular opening at the front of the brackets approximately 1/4" behind where you marked the front edge location of the snap buttons. Mark where to drill pilot holes for the #6 x 1 1/4" mounting screws. Be sure all brackets are mounted the same depth inside the opening.

INSIDE MOUNT



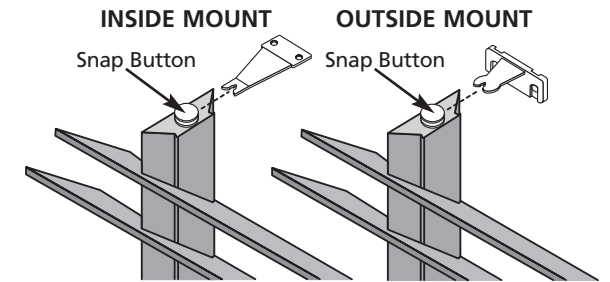
OUTSIDE MOUNT



With outside mounts, orientation of the mounting brackets depends on whether the snap button is at the top or bottom of the upright, or the left or right end of the bottom rail (see illustration). Position the brackets on your marks so that the circular opening at the front of the brackets will fit onto the snap buttons. Mark where to drill pilot holes for the #6 x 1 1/4" mounting screws. Drill 1/8" pilot holes and attach the brackets with the screws.

INSTALL THE BLIND

Align the snap buttons on the uprights (and bottom rail, if applicable) with the front of the mounting brackets. Insert the snap buttons into the mounting brackets until they "snap" in place.



CARE AND CLEANING

DUSTING

Like any wood furnishings, Kensington wood blinds should be dusted regularly to keep them looking new. Use a soft, clean cloth, chemically-treated dust cloth or dusting mitt.

VACUUMING

Blinds may also be cleaned by vacuuming them with the brush attachment of a vacuum cleaner.

DAMP CLEANING

Another way to clean blinds is simply by wiping them with a soft, damp rag.

TREATING STAINED BLINDS

Like wood furniture, stained blinds should be treated periodically, with lemon oil or other wood preservative to protect their finish and enhance their luster.

A NOTE ABOUT WOOD PRODUCTS:

Our wood blinds are true wood products, made from 100% hardwood. There will be variations in color, grain, texture, and warpage that are characteristic of all woods. These variations will be especially visible in blinds with light color stains. The variations are normal and natural, and are considered acceptable quality.