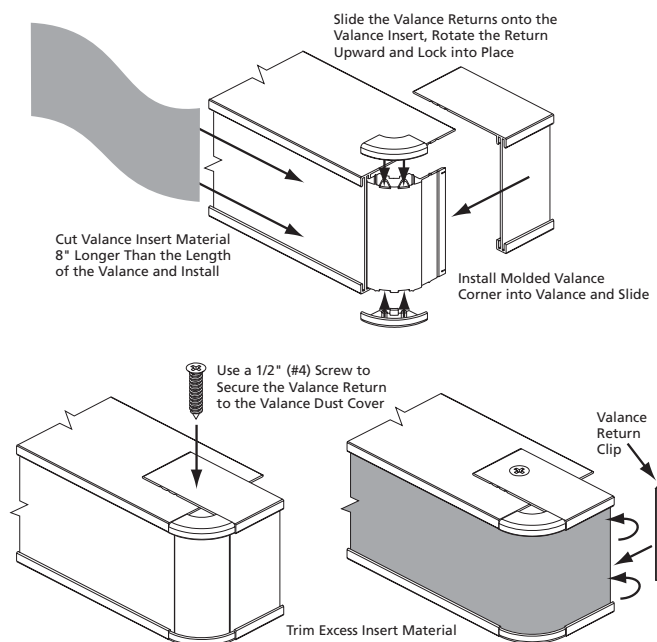


VALANCE ASSEMBLY (CONTINUED)

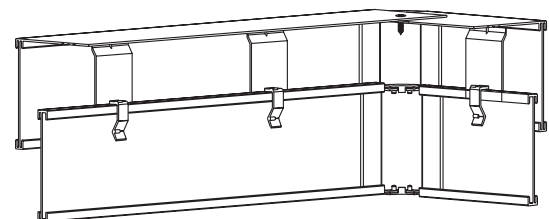
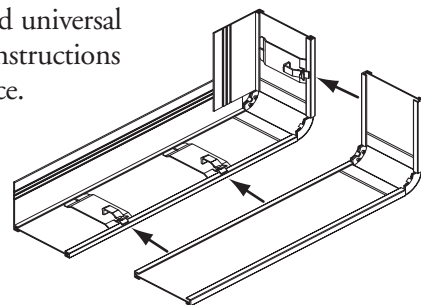
SINGLE-TIERED UNIVERSAL ROUND CORNER

Note: Cut PVC flush with end of return and secure with valance return clip. For fabric, wrap around back of return and secure with valance return clip.

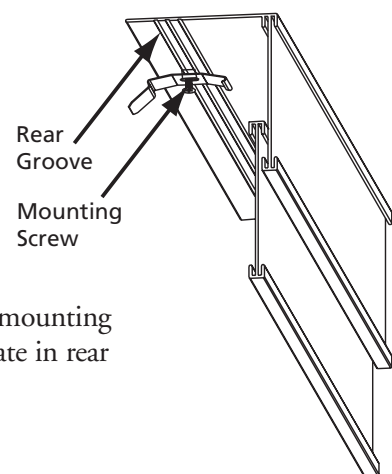


DOUBLE-TIERED UNIVERSAL ROUND CORNER

To install the double tiered universal round corner follow the instructions for the single-tiered valance.



Install valance hangers in back lips of the dust cover spaced 24" apart plus one for each return.

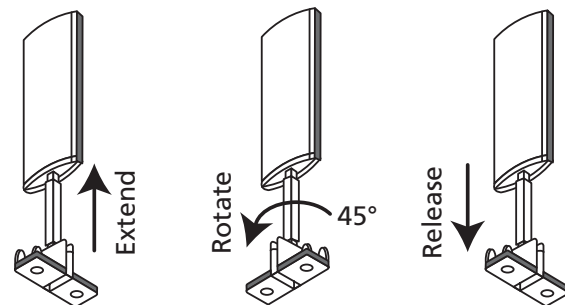


For an inside mount, place mounting screws through clip and locate in rear groove of the dust cover.

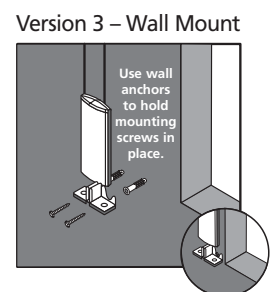
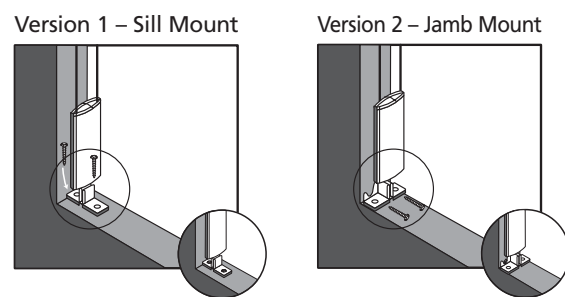
CORD TENSIONER AND CORD LENGTH

CORD TENSIONING

1. Establish preferred mounting location. If cord adjustment is required see instructions below.
2. Fully extend tensioning device, rotate post 45° and lock into extended position.



3. Locate mounting position.

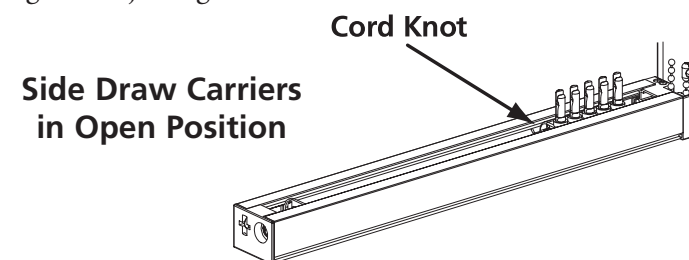


4. Hold cord taut with cord tensioning device in extended position and insert screws.
5. Rotate and release cord tensioning post.

CORD ADJUSTMENT

To reduce cord length on Side Draw:

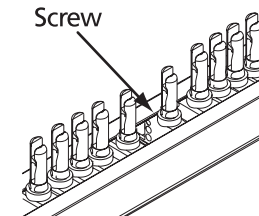
1. Place blind in open position.
2. Locate cord knot in front of lead carrier.
3. Loosen adjusting screw.
4. Pull cord to desired length.
5. Tie knot and then cut excess cord.
6. Tighten adjusting screw.



To reduce cord length on Center Draw:

1. Place blind in closed position.
2. Locate cord ends in front of lead carrier.
3. Loosen adjusting screw.
4. Select cord knot that adjust cord length only; If carrier movement is observed select other cord. *Caution—cutting wrong cord will cause irreparable damage.*
5. Pull cord to desired length.
6. Tie knot and then cut excess cord.
7. Tighten adjusting screw.

Center Draw Carriers in Closed Position



CARE AND MAINTENANCE

Vertical blinds are easy to clean and maintain.

FABRIC

Vertical blinds require only periodic dusting or vacuuming to keep them looking new. Do not wash or dry clean fabric vertical blinds. Ammonia cleaners should not be used on or near fabrics.

VINYL AND ALUMINUM

Vertical blinds can be wiped clean with a damp cloth or sponge. Leaving a very thin film of detergent on each vertical vane will reduce buildup of static electricity.

For specifics on cleaning, please see the General information section of the Reference & Price Guide.

KENSINGTON

WINDOW EXPRESSIONS™

ABBEY COURT

VERTICAL BLINDS

INSTALLATION

INSTRUCTIONS



Manufactured By

K KENSINGTON
WINDOW EXPRESSIONS™
Art for windows™

INSIDE MOUNT

1. Mark mounting clip locations between 2" to 4" from each end of the headrail. Evenly space intermediate clip locations between end clips at 30" intervals. (See Figure A) Measure depth to allow 1/4" clearance between louver and window. (i.e. 2" for 3 1/2" louvers)

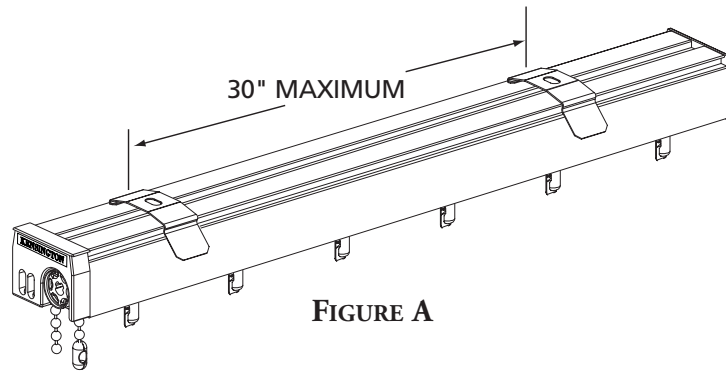


FIGURE A

2. If no valance is included, install mounting clips and skip to number 6. Otherwise, continue with instructions.
3. Mark drill holes 3" from each end of valance and evenly space intermediate drill holes between the end holes at 30" intervals. *Note: Inside surface of the valance has three parallel lines; align drill holes with center line.*
4. Hold valance in position and drill through valance and into ceiling.
5. Insert screw through mounting clip and tighten valance against ceiling into finished mounting position. (See Figure B)

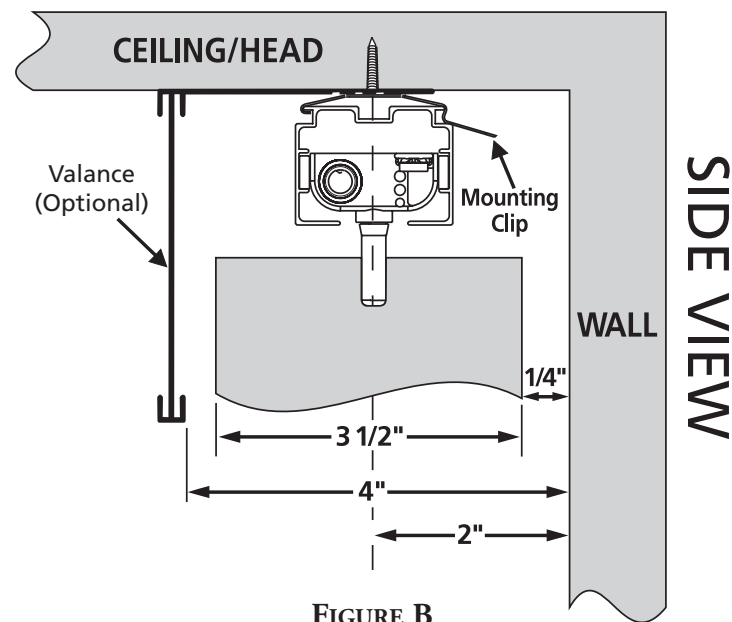


FIGURE B

6. Center headrail underneath mounting clips.
7. Tilt headrail and insert into the front ledge of the mounting clips. Push and roll headrail toward rear of blind and snap into place.
8. To remove, locate rear tab on mounting clip.
9. Push up on mounting clip tab to release the track.

OUTSIDE MOUNT

1. Mount "L" brackets 2" to 4" from each end of headrail. Evenly space intermediate brackets between end brackets at 30" intervals. (See Figure C)

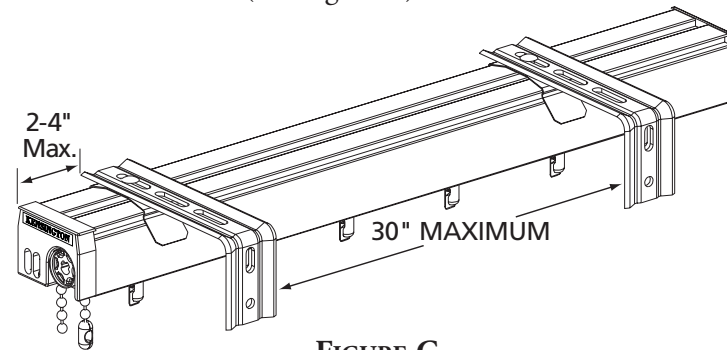


FIGURE C

2. Adjust mounting clips to allow 1/2" clearance between louver and wall. (i.e. 2 1/4" for 3 1/2" louvers)
3. Center headrail underneath mounting brackets.
4. Tilt headrail and insert into the front ledge of the mounting brackets. Push and roll headrail toward rear of blind and snap into place.
5. If valance is included, "snap" on a valance hanger next to each "L" bracket. (See Figure D)

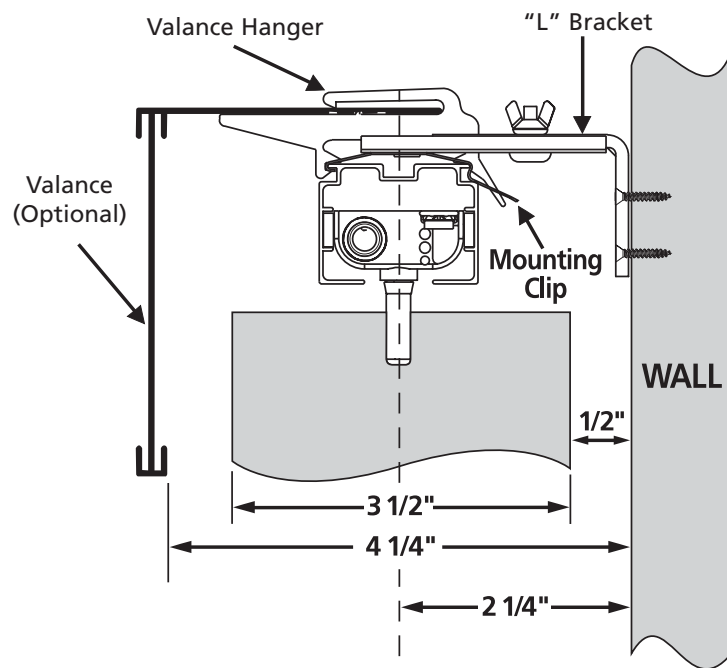


FIGURE D

6. Center valance in relation to the headrail and slide into valance hanger.

ATTACHING LOUVERS

1. Determine desired light/view direction from the customer. (See Figure E)
2. Rotate louver hooks so the slot between the long and the short prong is facing you.
3. Push louver into hook until it "snaps" into place.

TOP DOWN VIEW

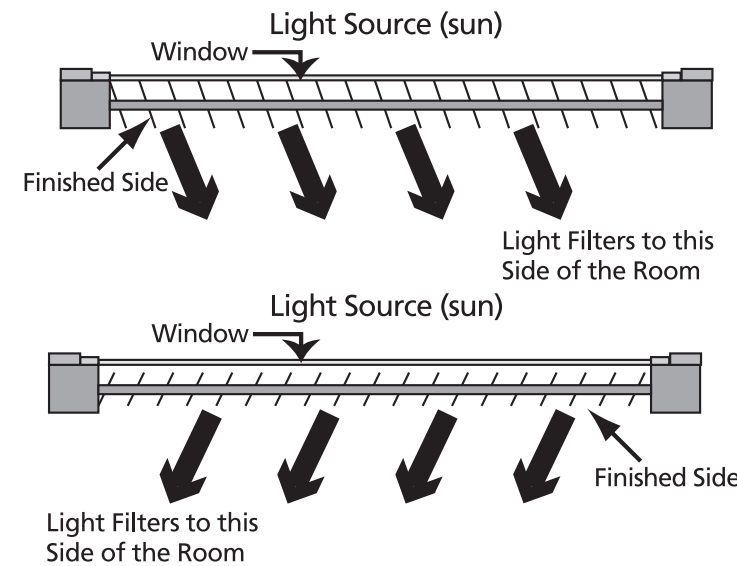


FIGURE E

REMOVING LOUVERS

1. Gently open louver hook by inserting a credit card size piece of rigid plastic between vane and the long prong of the louver hook. (See Figure F)
2. Gently remove louver.

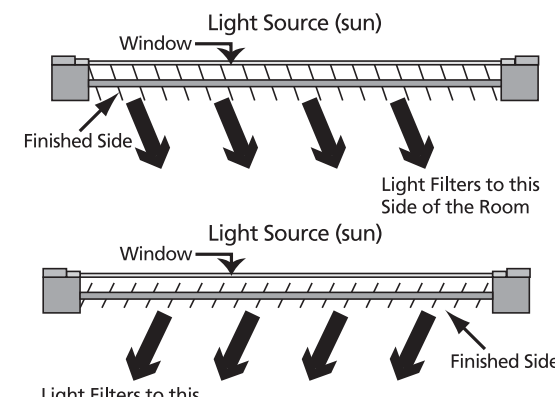


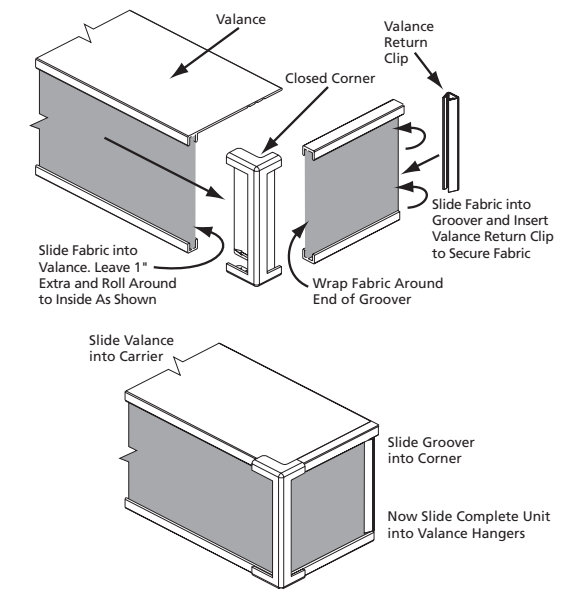
FIGURE F

VALANCE ASSEMBLY

SINGLE-TIERED CLOSED SQUARE CORNER

- Cut fabric insert 1" longer than valance at each end.
- Position fabric and wrap excess around ends.
- Hold fabric into place with closed corner.
- Cut fabric flush with end of return groover.
- Repeat on returns and insert a valance return clip.

Note: Cut PVC flush with end of return and secure with valance return clip. For fabric, wrap around back of return and secure with valance return clip.



SINGLE-TIERED OPEN SQUARE CORNER

- Cut fabric long enough to wrap around corner and cover the entire return plus at least 1" excess.
- Position open corner and valance returns.
- Position fabric, wrap over open corner and return.
- Trim excess fabric at wall end of valance return.

