

SIDEMOUNT BRACKET INSTALLATION

Line bracket top with joint where archtop meets top of rectangular window.

Mark holes for screws. Brackets must be level.

Remove brackets and drill holes.

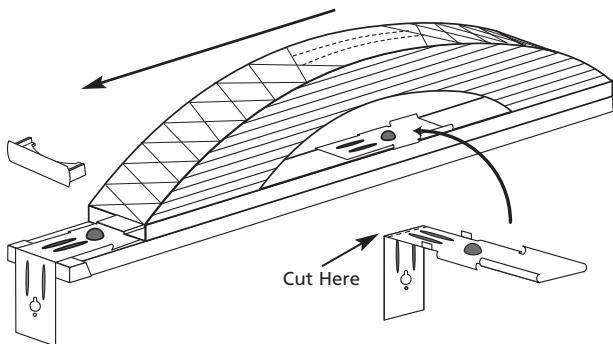
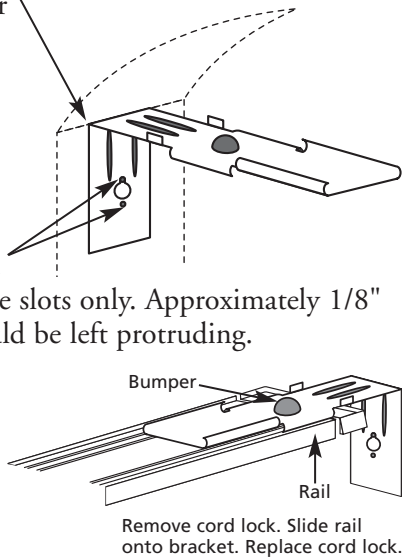
Insert bugle head screws for keyhole slots only. Approximately 1/8" of the screw should be left protruding.

Remove end caps from both ends of the archtop shade rail. Slide the archtop rail

onto the brackets on the headrail of the rectangular shade. (center bracket must not move off center.)

Remove end cap from opposite end of rectangular shade headrail. Slide remaining sidemount bracket into both rectangular and archtop rails. Replace the end cap on the rectangular headrail before sliding the bracket all the way into place. Replace end caps in the archtop rail.

Use rubber bands at both ends of the entire shade assembly to secure fabric. Hook one bracket onto the screw in the window frame using the keyhole slot.

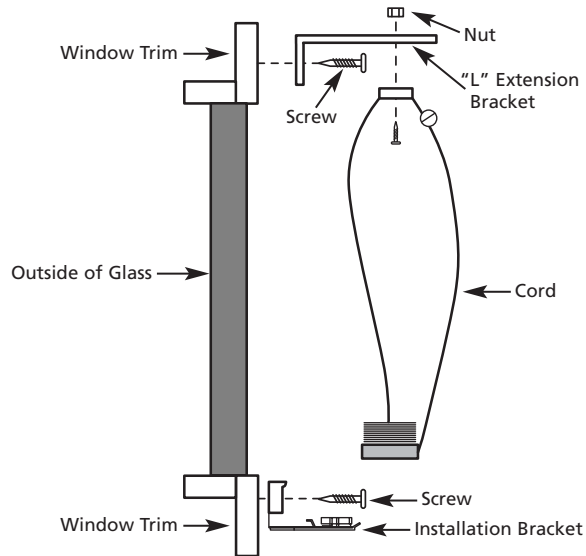


For shades wider than 48", cut an additional bracket near the right angle bend as shown. Slide the cut bracket with the bumper onto the headrail, sliding it to the middle of the rectangular shade headrail, then assemble.

Bring the other end bracket over the screw at the other side of the frame. Slide down, flexing the bracket inward, until screw engages in the keyhole slot. Make sure both brackets are slipped down all the way in the keyhole slots. Remove rubber bands and install a screw in the bottom hole of each bracket.

Tighten all screws. Lower the rectangular shade and proceed to mounting hardware for top-down shades.

OUTSIDE MOUNT/EXTENSION BRACKETS



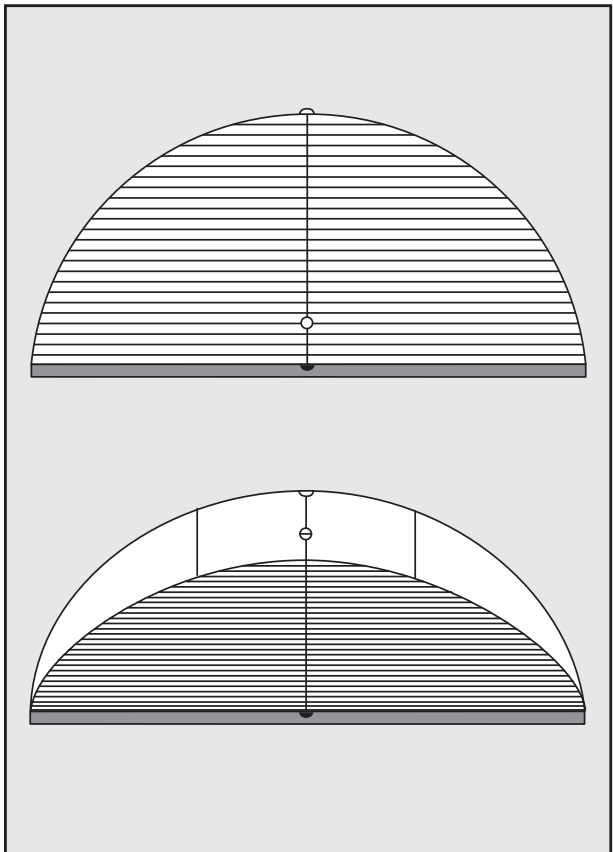
CLEANING AND CARE

The shade fabric is easy to care for. Regular dusting with a feather duster or vacuum cleaner brush is recommended. Most stains can be blotted with a damp sponge and mild detergent. For problem stains, the shade can be removed from the mounting brackets and soaked in warm water. When damp, lower shade tightly to re-crisp pleats. Before using anything stronger than mild detergent and lukewarm water, test an unobtrusive corner of the shade. If you have any questions, call your dealer for advice.

KENSINGTON WINDOW EXPRESSIONS™

HONEYCOMB MOVABLE TOP-DOWN ARCH SHADES

INSTALLATION INSTRUCTIONS

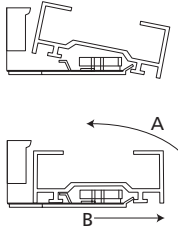


Manufactured By

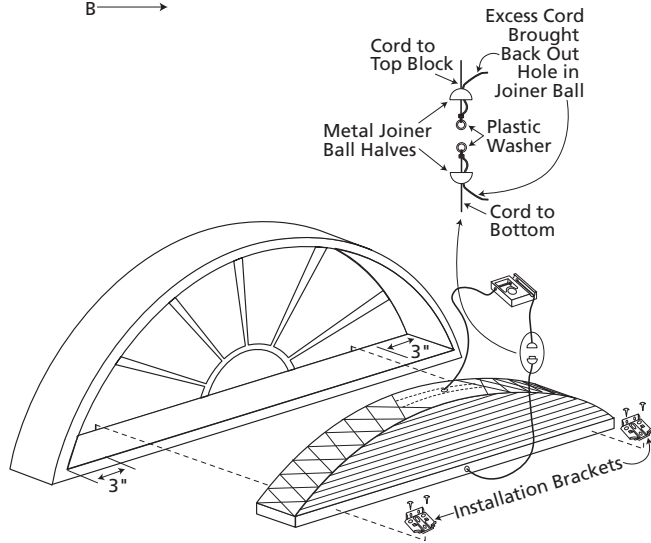
K KENSINGTON
WINDOW EXPRESSIONS™
Art for windows™

MOVABLE TOP-DOWN ARCH

Mount installation brackets 3" from each side.



1. Catch front groove of rail with front groove of bracket.
2. Center rail in opening.
3. Push the rail back and down to catch back of rail in bracket (A). Then release (B).

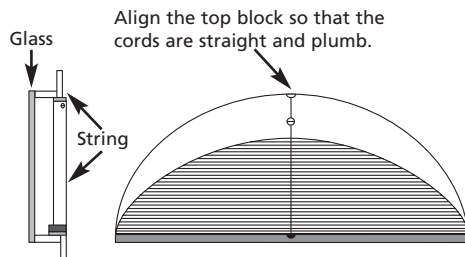


Hold the fabric in a closed stack and with a pencil, make a mark on

the upper cord where it comes out of the front of the top block. Tie a knot on the washer at the pencil mark and bring the excess cord back out through the small hole in the joiner ball.

Important: Do not cut any cords until you are satisfied with the operation of the shade.

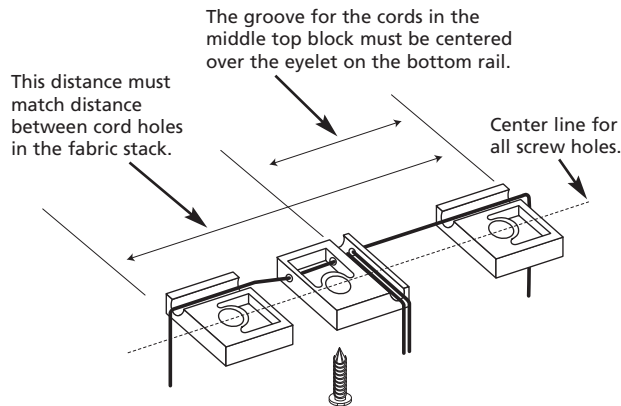
Readjust the position of the lower joiner ball so that there is about 3/4" of space between the two halves before screwing them together and a little tension on the internal spring. Screw the two halves of the joiner ball together and test the operation of the



shade. The shade should go all the way up to the top block and all the way down to a stack position. The shade should be able to stay in position in between and move without excess tension.

Once the shade is adjusted properly, the excess cord can be trimmed near the upper and lower holes of the joiner ball.

FOR 2-STRING (EYEBROW SHAPE) ARCH



Measure the distance between the two cords coming out of the top cell of the shade (the upper cords). The cords will be a minimum of 3" up to a maximum of 6" to each side of the center of the shade. The distance was determined by the amount of curvature in the arch. At the top of the arch opening, make marks to the left and to the right of the middle mark that correspond to the distance each cord is left and right of the center. These marks determine the left edge of the left block and the right edge of the right block. Pull the shade up to the top using the cords to check the location of the left and right mark. Use a top block to mark the screw location for drilling. Remember that all cords must be straight and plumb.

Using the screws provided, install the regular top blocks to the frame. Before tightening all the way, loop the left and right cords into their corresponding grooves and tighten the screws.

Hold the middle top block in position and mark and drill the proper location for the screw. Remember that the center mark is the location of the groove, the screw is offset to the left.

Before installing the middle block, untie and remove the plastic washer and metal joiner ball half from the upper cords. Thread both the left and right cords through the small diameter drill holes as shown. Install the middle top block into the upper frame. Check to make sure that neither of the upper cords is caught between the blocks and the frame and that they move freely.

Thread the upper cords back through the joiner ball and washer. Hold the fabric in a closed stack and with a pencil, make a mark on both upper cords where they come out from the front of the middle block. Tie a knot on the washer at the pencil marks and bring the excess cord back out the small hole in the joiner ball. **Important: do not cut any cords until you are satisfied with the operation of the shade.**

Readjust the position of the lower joiner ball so that there is about 3/4" of space between the two halves before screwing them together with a little tension on the internal springs. Screw the two halves of the joiner ball together and test the operation of the shade up and down. It may be necessary to readjust the upper or lower or both joiner positions. The shade should go all the way up to the top blocks and all the way down to a stack position. The shade should be able to stay in position in between and move without excess tension. Levelness of the top of the shade is adjusted with the left and right upper cords.

Once the shade is adjusted properly, the excess cord can be trimmed near the upper and lower holes of the joiner ball.

FOR SHADES USING MONOFILIMENT

